

# SMARTZONE-2L

# 2 ZONE CONTROL

FOR 3+ ZONES : SMARTZONE-4X



- GAS/ELECTRIC
  - HEAT PUMP W/ AUX
  - DUAL/FOSSIL FUEL
- SINGLE OR MULTI-STAGE  
**3** HEATING    **2** COOLING

**ECOJAY SMARTZONE-2L** IS A 2-ZONE RESIDENTIAL & LIGHT COMMERCIAL CONTROLLER. EASILY CONFIGURABLE TO SATISFY A WIDE RANGE OF APPLICATIONS AND EQUIPMENT REQUIREMENTS. SIMPLE INSTALLATION AND SETUP MAKE **SMARTZONE-2L** PERFECT FOR NEW CONSTRUCTION, CHANGE-OUT, RETRO-FIT & UPGRADES. COMPREHENSIVE DISPLAY PROVIDES SYSTEM STATUS INFORMATION: EQUIPMENT MODE, THERMOSTAT CALLS & SUPPLY TEMP. LED'S SHOWING DAMPER STATUS SIMPLIFY TROUBLESHOOTING. **SMARTZONE-2L** CAN MAXIMIZE EQUIPMENT EFFICIENCY & PROTECTION WITH OPTIONAL SUPPLY TEMPERATURE SENSOR (#ASAS). UNIVERSAL COMPATIBILITY, TIME SAVING AND EXCLUSIVE VALUE-ADDED FEATURES MAKE **SMARTZONE-2L** THE SMART CHOICE FOR ANY 2 ZONE SYSTEM.

**EASILY CONFIGURE SETTINGS WITH SIMPLE DIP SWITCH SETUP NO HIDDEN SETTINGS**

**RED LED INDICATES POWER**

**EXCLUSIVE ECO MODE**

**USE ANY THERMOSTAT**

**GREEN LED INDICATES DAMPER OPEN**

**USE ANY 2 OR 3 WIRE DAMPER**

**PUSH BUTTON TO READ MORE STATUS (ZONE MODES & SUPPLY TEMP) SCROLLED ON DISPLAY SEE BACK PAGE**

**COMPREHENSIVE DISPLAY SHOWS EQUIPMENT MODE, STATUS & MORE INFO THAN EVER BEFORE! SEE BACK PAGE**

**OPTIONAL SUPPLY TEMP SENSOR (PART# ASAS) FOR EQUIPMENT PROTECTION AND SMART-STAGING™**

**WITHOUT TEMP SENSOR, STAGING WILL BE CONTROLLED ON TIME ONLY**

**CONTROL ANY SINGLE OR MULTI-STAGE EQUIPMENT**

**PART # Z52L**  
 FIRMWARE VERSION 2  
 \*SHOWN ON DISPLAY WHEN BOARD POWERED\*

- INDEPENDENT ZONE FAN CONTROL
- NO DUAL FUEL KIT REQUIRED
- CONTROL EMERGENCY HEAT FROM ZONE 1 THERMOSTAT
- OPTIONAL SUPPLY TEMP SENSOR
- ECO MODE ALLOWS SETBACK OF ENTIRE SYSTEM FROM ZONE 1
- LOCK-OUT 2<sup>ND</sup> STAGE WHEN ONLY ONE ZONE CALLING
- ADJUST STAGING & CUT-OUT LIMITS TO MAXIMIZE COMFORT OR EFFICIENCY
- DELAY FAN FOR GAS HEAT APPLICATION
- LED'S SHOW DAMPER STATUS
- SIMPLE SETUP WITH DIP SWITCHES
- EASY-TO-READ TERMINALS
- SCREWLESS WIRING
- OPTIONAL TEMP SENSOR FOR BETTER STAGING & PROTECTION
- BEST VALUE ZONE CONTROL!



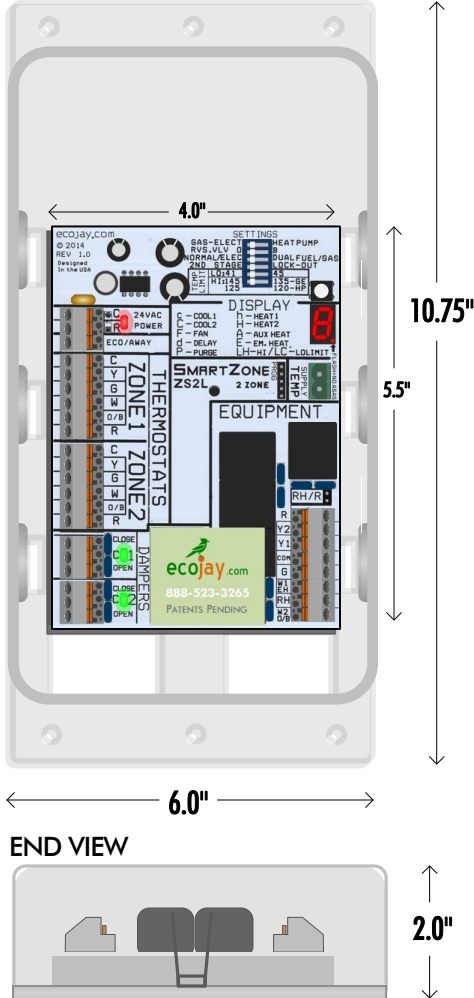
[SMARTZONELITE.COM](http://SMARTZONELITE.COM)

**888-523-3265**



# SMARTZONE-LITE SPECIFICATION

## ENCLOSURE DURABLE ABS PLASTIC

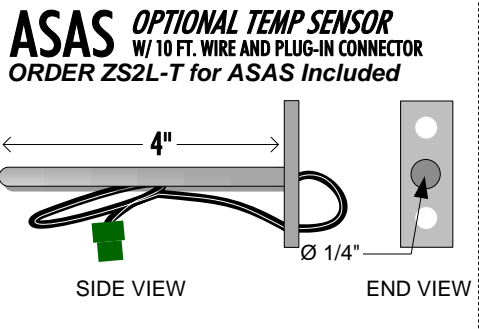


<b>POWER</b>	<b>SMARTZONE-2L</b>	10VA MAX
	<b>SYSTEM</b>	10VA + Thermostat (3VA) + Damper (3 to 10 VA) = Total Transformer Size
	<b>PROTECTION</b>	Integrated 250mA PolyFuse – <b>RED LED</b> indicates power connected & polyfuse GOOD. (Field supplied transformer should also be fused)

<b>OUTPUTS</b>	<b>EQUIPMENT</b> 2 stages cool 3 stages heat Gas/Electric Heat Pump Dual Fuel	<b>10 AMP @ 24VAC Contact Rating</b> <b>LABEL – DESCRIPTION (EQUIPMENT MODE shown on DISPLAY)</b> RH – 24VAC HOT from Heating Transformer on Equipment RC – 24VAC HOT from Cooling Transformer on Equipment C – 24VAC COMMON from Transformer on Equipment Y1 – 1 <sup>st</sup> Stage Compressor Y2 – 2 <sup>nd</sup> Stage Compressor G – Fan W1/EH – 1 <sup>st</sup> Stage Heat OR Emergency Heat W2/OB – 2 <sup>nd</sup> Stage Heat OR Reversing Valve
	<b>DAMPERS</b> 2 or 3 Wire 24VAC	<b>10 AMP @ 24VAC Contact Rating (40VA) – GREEN LED indicates OPEN</b> Power-Close / Spring-Open Dampers (10VA) Power-Open / Spring-Close Dampers (10VA) Power-Open / Power-Close Dampers (3VA)

<b>INPUTS</b>	<b>THERMOSTAT</b> Matching EQUIPMENT Type Single Stage Heat Pump w/ Em. Heat or Gas Electric	<b>LABEL – DESCRIPTION (PRESS BUTTON to see Thermostat Calls)</b> R – 24VAC HOT C – Common Y – Compressor G – Fan W – Heat OR Emergency Heat O/B – Reversing Valve ECO – Economy Input <i>NOTE: Power-stealing (robbing) thermostats should not be used</i>
	<b>TEMPERATURE (optional)</b>	10K Type III Thermistor [0°F – 199°F] Accuracy ± 1°F OPTIONAL ACCESSORY – PART # ASAS (PRESS BUTTON to see Supply Temp)

<b>CONFIG &amp; SETUP</b>	<b>DIP SWITCHES</b>	<b>DISPLAY</b>
	<p>Gas/Electric or Heat Pump Reversing Valve O or B for Heat Pump Normal/Electric or Dual Fuel/Gas for Heat Pump/Heat fan delay Allow 2<sup>nd</sup> Stage ALWAYS or ONLY with both Zones calling LO TEMP 41° or LO TEMP 45° HI TEMP 145 (G/E) 125°(H.P) or HI TEMP 135 (G/E) 120°(H.P.)</p> <p><b>GAS/ELECT</b> RVS. VLV. O NORMAL / ELECT 2<sup>nd</sup> STAGE LO TEMP: 41 HI TEMP: 145 (G/E) 125 (HP)</p> <p><b>HEAT PUMP</b> B DUAL FUEL / GAS LOCKOUT 45 135 (G/E) 120 (HP)</p>	<p><b>HEATING 1<sup>st</sup> STAGE</b> <b>EMERGENCY HEAT</b></p> <p><b>HEATING 2<sup>nd</sup> STAGE</b> <b>AUXILIARY HEAT</b></p> <p><b>COOLING 2<sup>nd</sup> STAGE</b> <b>FAN ONLY</b></p> <p><b>COOLING 1<sup>st</sup> STAGE</b> <b>LO or HI LIMIT (FLASHING)</b></p> <p><b>PURGE / CHANGEOVER</b> <b>DELAY (3 MINUTE)</b></p> <p><b>TEMP SENSOR INDICATOR (FLASHING = NOT DETECTED)</b></p>
	<p><b>PUSH BUTTON</b></p> <p>DISPLAY WILL SEQUENCE THROUGH THE FOLLOWING INFORMATION:  <ul style="list-style-type: none"> <li>• ZONE 1 THERMOSTAT "CALL MODE"</li> <li>• ZONE 2 THERMOSTAT "CALL MODE"</li> <li>• SUPPLY TEMP (IF SENSOR INSTALLED)</li> </ul> </p> <p>FULL SEQUENCE SHOWN WILL DISPLAY ONE DIGIT AT A TIME AFTER BUTTON IS PRESSED AND RELEASED:</p> <p>AFTER DIGITS ABOVE ARE DISPLAYED, THE DISPLAY WILL RETURN TO NORMAL OPERATION (SHOWN UNDER "DISPLAY")</p>	<p><b>TEMPERATURE DISPLAY:</b> ZONE 1 CALL MODE 1, ZONE 2 CALL MODE 2, SUPPLY TEMP 67.3°F</p> <p><b>POSSIBLE THERMOSTAT ZONE CALL MODES:</b> COOL OR HEAT OR FAN OR EM. HEAT OR (NO CALL)</p>



**BEST PRICE VALUE GUARANTEE**

## PART NUMBERS

<b>ZS2L</b>	SmartZone-2L	2-Zone Controller ONLY
<b>ZS2L-T</b>	SmartZone-2L	Includes Supply Temp Sensor (ASAS)

**MORE INFORMATION**

- ▶ ECOJAY SMARTZONE-2L INSTALL GUIDE
- ▶ ECOJAY SMARTZONE DAMPERS & DUCT GUIDE
- ▶ ECOJAY SMARTZONE INSTALL GUIDE
- ▶ DOCUMENTS, GUIDES, VIDEOS & MORE AVAILABLE AT [ECOJAY.COM](http://ECOJAY.COM) OR BY CALLING 1-888-523-3265